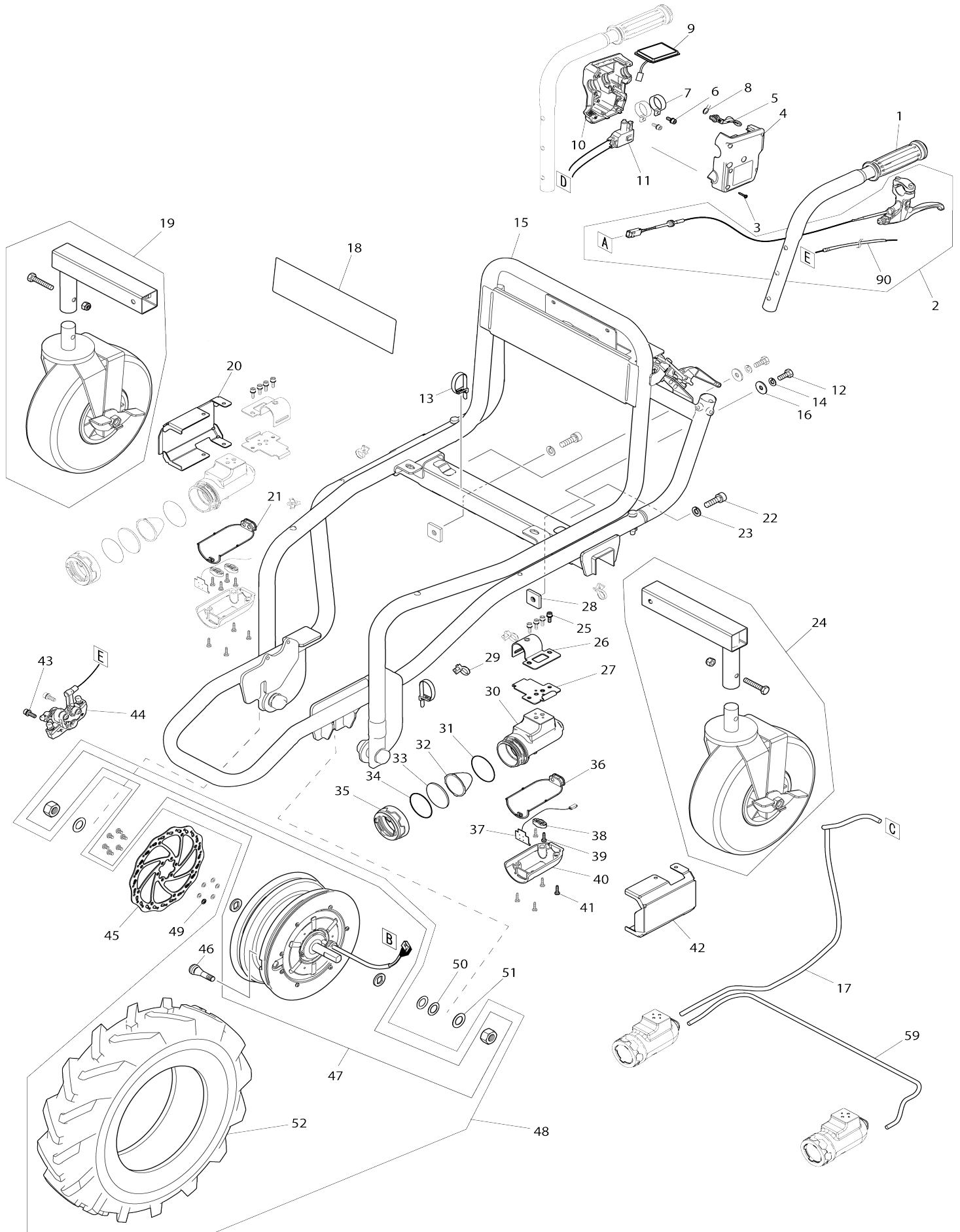
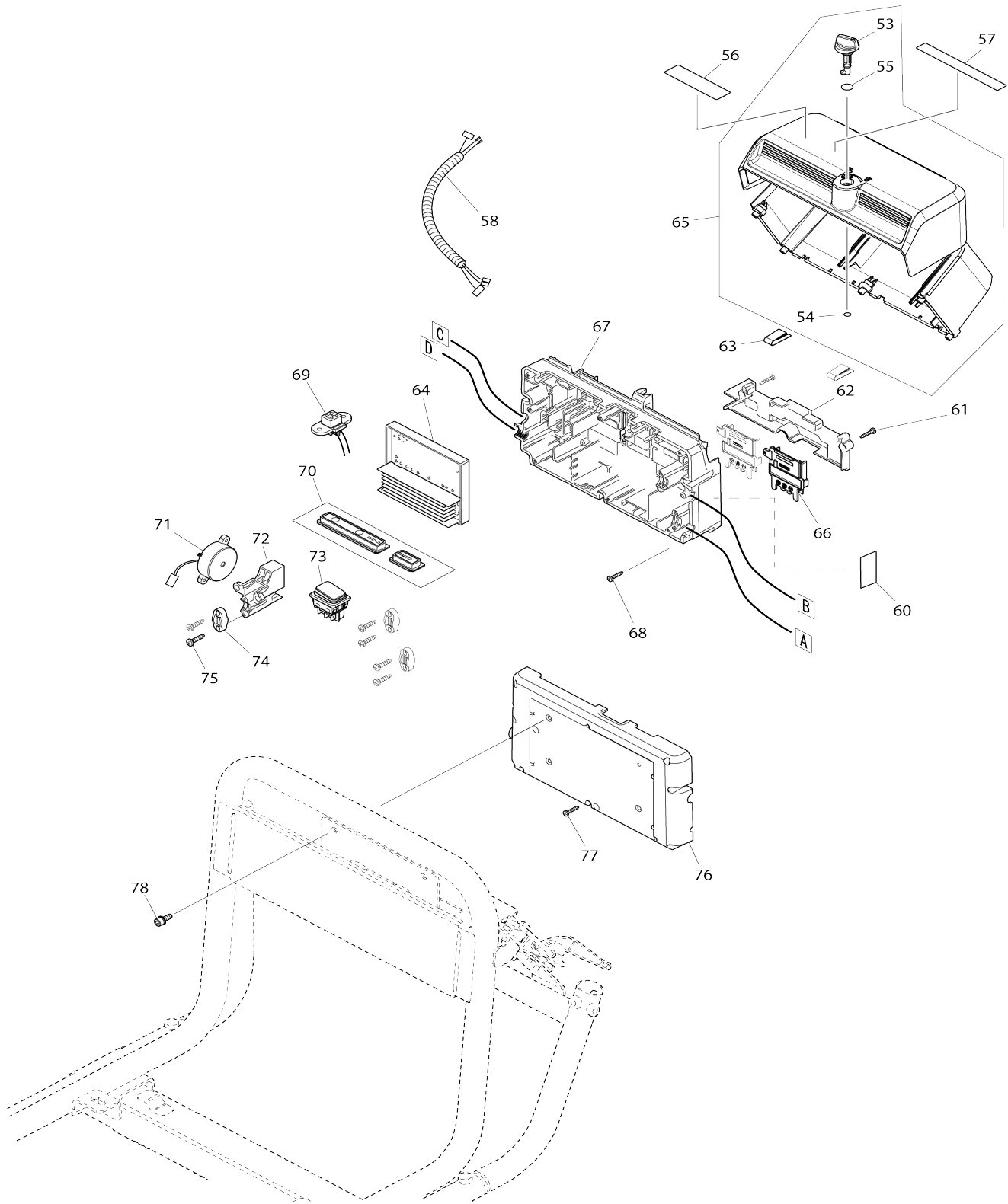


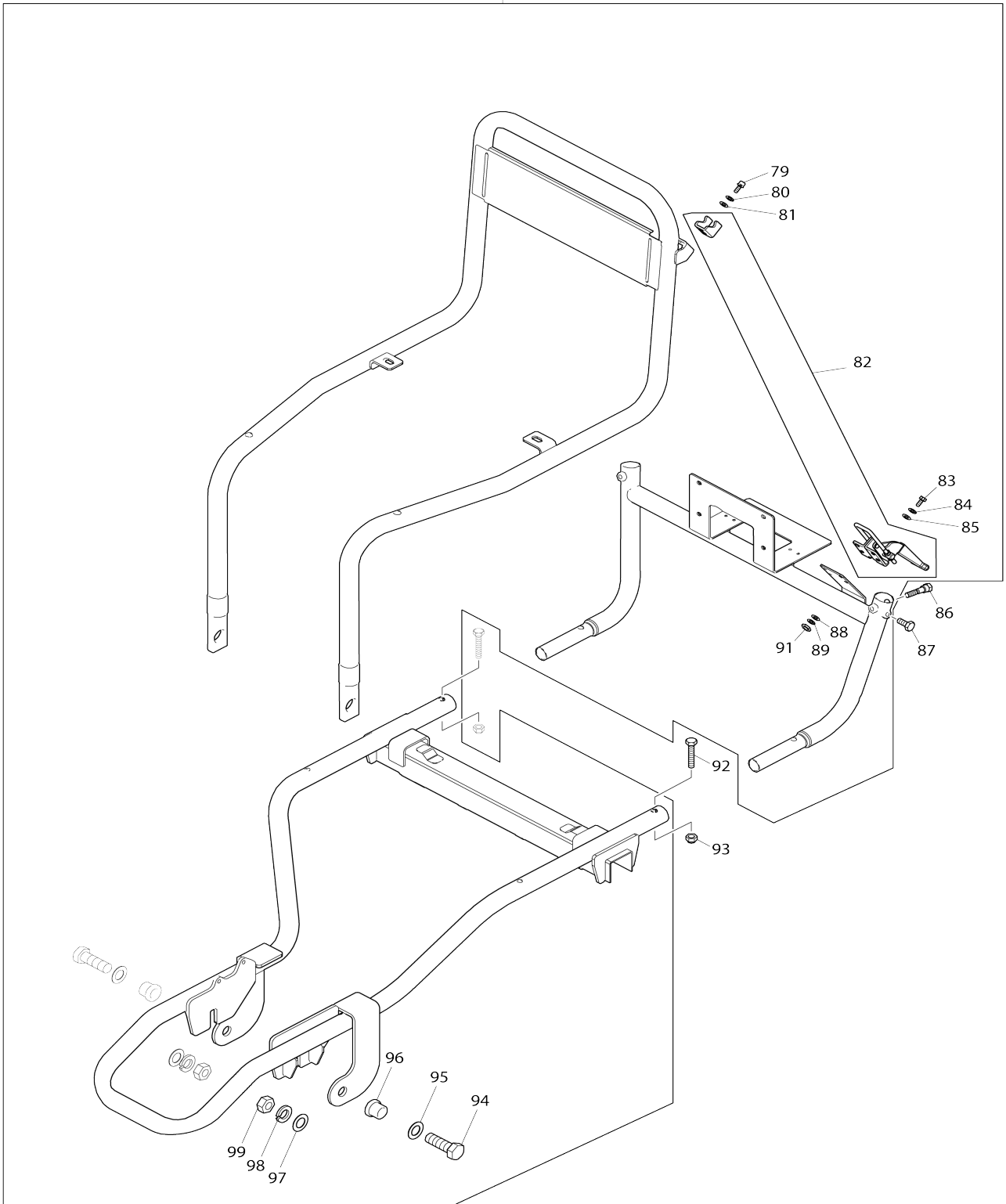
Model No.DCU180 BATTERY POWERED WHEELBARROW



Model No.DCU180 BATTERY POWERED WHEELBARROW



15



Model No.DCU180 BATTERY POWERED WHEELBARROW

Item No.	Parts No.	Description	Interchangeability	Q'ty	New/Old	Note1	Note2
001	161640-0	HANDLE COMPLETE		2	*		
001-1	141R21-2	HANDLE COMPLETE	<	2			
002	161648-4	BRAKE ASSEMBLY		1			
D10		INC. 90					
003	266130-9	TAPPING SCREW BIND PT 3X16		5			
004	183H15-1	SWITCH BOX SET		1	*		
C10	813J54-6	CAUTION LABEL		1	*		
D10		INC. 10					
004-1	183H15-1	SWITCH BOX SET	<	1			
C10	813J54-6	CAUTION LABEL		1			
D10		INC. 10					
005	457633-6	SWITCH LEVER		1			
006	922223-9	H.S.H.BOLT M5X16 WITH WR		2	*		
006-1	265A97-4	H.S.H.BOLT M5X16 WITH WR	<	2			
007	346249-1	PIPE CLAMP 28		2			
008	233540-5	TORSION SPRING 11		1			
009	144521-3	SWITCH PLATE COMPLETE		1			
C10	812S78-3	SWITCH LABEL		1			
010	183H15-1	SWITCH BOX SET		1	*		
C10	813J54-6	CAUTION LABEL		1	*		
D10		INC. 4					
010-1	183H15-1	SWITCH BOX SET	<	1			
C10	813J54-6	CAUTION LABEL		1			
D10		INC. 4					
011	650781-2	SWITCH C3JW-6B-P		1			
012	251595-8	HEX.BOLT M8X20		2			
013	687410-4	BAND		2			
014	942201-3	SPRING WASHER 8		2			
015	126589-1	FRAME ASSEMBLY		1	*		
D10		INC. 79-89,91-99					
015-1	126905-7	FRAME ASSEMBLY	S	1	*		
D10		INC. 79-89,91-99					
D11		INC. 79-85,88,89,91,94-99					
015-2	126905-7	FRAME ASSEMBLY	O	1			
D11		INC. 79-85,88,89,91,94-99					
016	253852-0	FLAT WASHER 8		2			
017	699095-4	POWER SUPPLY CORD UNIT		1			
018	812S79-1	MAKITA LOGO LABEL		1			
019	126893-8	REAR TIRE R ASSEMBLY		1	*		
C10	161639-5	JOINT		1	*		
C20	161868-0	TIRE 260 WITH STOPPER		1	*		
C30	921467-8	HEX. BOLT M8X45		1	*		
C40	252105-4	HEX. LOCK NUT M8-13		1	*		
019-1	127092-5	REARTIRE ASSEMBLY WITH STOPPER	O	1	*		
C10	161836-3	JOINT		1	*		
C20	161868-0	TIRE 260 WITH STOPPER		1	*		
C30	921467-8	HEX. BOLT M8X45		1	*		

C40	252105-4	HEX. LOCK NUT M8-13		1	*		
019-2	127092-5	REARTIRE ASSEMBLY WITH STOPPER	O	1			
C10	161836-3	JOINT		1			
C20	161868-0	TIRE 260 WITH STOPPER		1			
C30	921467-8	HEX. BOLT M8X45		1			
C40	252105-4	HEX. LOCK NUT M8-13		1			
020	347278-7	GUARD R		1			
021	422151-3	PACKING		1			
022	266240-2	HEX. SOCKET HEAD BOLT M10X25		2	*		
023	941251-5	FLAT WASHER 10		2	*		
024	126837-8	REAR TIRE L ASSEMBLY		1	*		
C10	161663-8	JOINT L		1	*		
C20	161868-0	TIRE 260 WITH STOPPER		1	*		
C30	921467-8	HEX. BOLT M8X45		1	*		
C40	252105-4	HEX. LOCK NUT M8-13		1	*		
024-1	127092-5	REARTIRE ASSEMBLY WITH STOPPER	O	1	*		
C10	161836-3	JOINT		1	*		
C20	161868-0	TIRE 260 WITH STOPPER		1	*		
C30	921467-8	HEX. BOLT M8X45		1	*		
C40	252105-4	HEX. LOCK NUT M8-13		1	*		
024-2	127092-5	REARTIRE ASSEMBLY WITH STOPPER	O	1			
C10	161836-3	JOINT		1			
C20	161868-0	TIRE 260 WITH STOPPER		1			
C30	921467-8	HEX. BOLT M8X45		1			
C40	252105-4	HEX. LOCK NUT M8-13		1			
025	922223-9	H.S.H.BOLT M5X16 WITH WR		8	*		
025-1	265A97-4	H.S.H.BOLT M5X16 WITH WR	<	8			
026	347238-9	CLAMP A		2			
027	347239-7	CLAMP B		2			
028	347394-5	PLATE		2	*		
029	687849-1	BAND		5			
030	319594-7	LIGHT CASE		2			
031	213656-2	O RING 53		2			
032	457636-0	REFLECTOR		2			
033	457634-4	LENS		2			
034	213604-1	O RING 50		2			
035	457635-2	COVER		2			
036	422166-0	PACKING		1			
037	620685-2	LED CIRCUIT		2			
038	687123-7	STRAIN RELIEF		3			
039	266034-5	TAPPING SCREW CT 4X16		6			
040	319595-5	LIGHT CASE COVER		2			
041	266034-5	TAPPING SCREW CT 4X16		8			
042	347279-5	GUARD L		1			
043	922328-5	H.S.H.BOLT M6X18 WITH WR		2	*		
043-1	265A98-2	H.S.H.BOLT M6X18 WITH WR	<	2			
044	161641-8	BRAKE CALIPER ASSEMBLY		1			
045	347208-8	BRAKE DISC		1			

046	161638-7	SNAP IN VALVE		1		
047	126590-6	WHEEL		1	*	
C10	BF00000002	HEX. NUT M16		2	*	
C20	BF00000003	FLAT WASHER		2	*	
C30	BF00000001	HEX. SOCKET BUTTON BOLT M5X 8		6	*	
047-1	126590-6	WHEEL	S	1	*	
C10	BF00000002	HEX. NUT M16		2	*	
C20	BF00000003	FLAT WASHER		2	*	
C30	BF00000001	HEX. SOCKET BUTTON BOLT M5X 8		6	*	
047-2	126904-9	WHEEL	S	1		
C10	BF00000002	HEX. NUT M16		2		
C20	BF00000003	FLAT WASHER		2		
C30	BF00000001	HEX. SOCKET BUTTON BOLT M5X 8		6		
048	126734-8	FRONT TIRE ASSEMBLY		1	*	
D10		INC. 46,47,52				
048-1	127081-0	FRONT TIRE ASSEMBLY	S	1		
D10		INC. 46,47,52				
049	941102-2	FLAT WASHER 5		6	*	
050	232247-0	CONED DISC SPRING 16		2	*	
050-1	232605-0	CONED DISC SPRING 16	<	2		
051	253377-4	FLAT WASHER 17		2	*	
051-1	253470-4	FLAT WASHER 17	<	2		
052	422159-7	FRONT TIRE 430		1		
053	457625-5	LEVER 25		1		
054	213005-3	O RING 5		1		
055	213078-6	O-RING 10		1		
056	816M70-5	INDICATION LABEL		1		
057	816N32-9	CAUTION LABEL		1		
058	632K49-4	LEAD UNIT		1		
059	699096-2	POWER SUPPLY CORD UNIT		1		
C10	682576-5	GROMMET		1		
C20	688162-0	LINE FILTER		2		
060	853S84-9	DCU180 NAME PLATE		1		
061	266130-9	TAPPING SCREW BIND PT 3X16		2		
062	457629-7	TERMINAL HOLDER		1		
063	232267-4	LEAF SPRING		2		
064	620675-5	CONTROLLER		1	*	
064-1	620M45-6	CONTROLLER	<	1		
065	135934-9	BATTERY BOX ASSY		1		
D10		INC. 53-55				
066	643874-2	TERMINAL		2		
067	144519-0	CENTER CASE COMPLETE		1		
C10	263005-3	RUBBER PIN 6		4		
068	266130-9	TAPPING SCREW BIND PT 3X16		5		
069	632K50-9	LEAD UNIT		1		
070	144520-5	SUB CONTROLLER COMPLETE		1		
071	620684-4	BUZZER CIRCUIT		1		
072	457630-2	COVER		1		
073	651534-2	SWITCH 1934.3112B		1		

074	687123-7	STRAIN RELIEF		3			
075	266326-2	TAPPING SCREW 4X18		6			
076	457628-9	FRONT COVER		1			
077	266130-9	TAPPING SCREW BIND PT 3X16		8			
078	922218-2	H.S.H.BOLT M5X14 WITH WR		4	*		
078-1	265A96-6	H.S.H.BOLT M5X14 WITH WR	<	4			
079	TR00000069	HEX.SOCKET HEAD BOLT M5X14		2			
080	942101-7	SPRING WASHER 5		2			
081	941101-4	FLAT WASHER 5		2			
082	TR00000067	LOCK LEVER		1			
083	TR00000068	HEX.BOLT M5X16		4			
084	942101-7	SPRING WASHER 5		4			
085	941101-4	FLAT WASHER 5		4			
086	251594-0	SHOULDER HEX. BOLT M8X40		2			
087	251595-8	HEX.BOLT M8X20		2			
088	941101-4	FLAT WASHER 5		4			
089	942101-7	SPRING WASHER 5		4			
090	144700-3	BRAKE CABLE		1			
091	931202-6	HEX. NUT M5		4			
092	921467-8	HEX. BOLT M8X45		2			
093	252105-4	HEX. LOCK NUT M8-13		2			
094	TR00000070	HEX.BOLT M16X50		2			
095	TR00000073	FLAT WASHER 17		2			
096	326968-5	SLEEVE 17		2			
097	TR00000073	FLAT WASHER 17		2			
098	TR00000072	SPRING 16		2			
099	TR00000071	HEX.NUT M16-24		2			
100	941102-2	FLAT WASHER 5	S	6			
101	253377-4	FLAT WASHER 17	S	1			
A01	144675-6	FOOT COMPLETE		2			
A02	455588-9	WIRE CLAMP		2			
A03	643890-4	KEY		1			
A04	781006-4	WRENCH 13		2	*		
A04-1	781039-9	WRENCH 13	O	2			
F01	198494-2	BUCKET SET		1			
F04	199116-7	CARRIER SET		1			
F05	191A01-6	AUXILIARY WHEEL ATTACHMENT SET		1			

Please state Parts No. when your order.

Print Date 06/10/2024