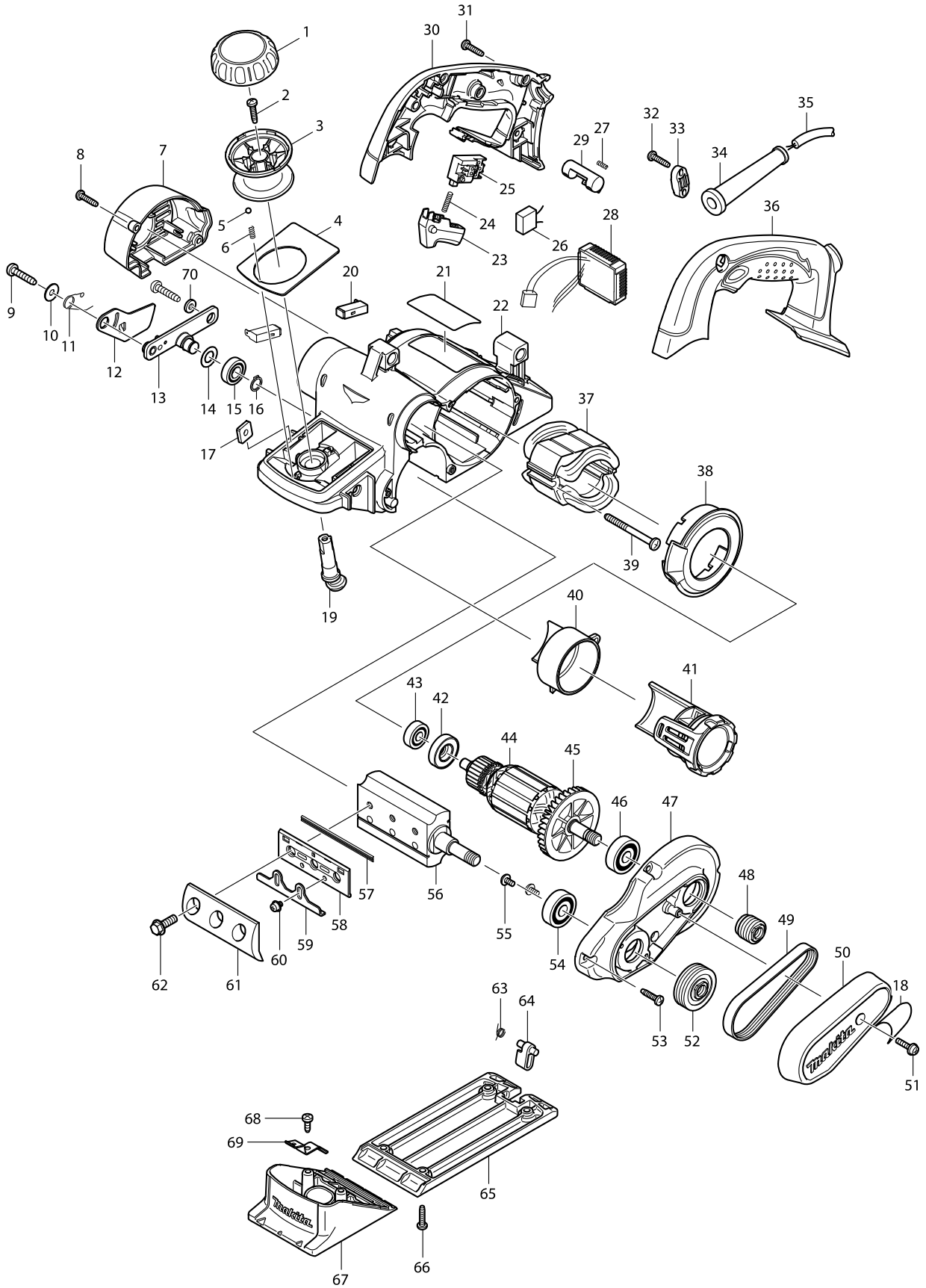


Model No. KP0810C POWER PLANER 82MM



Model No. KP0810C POWER PLANER 82MM

Item	Parts No.	Description	I/C	Qty	N/O	Opt. 1	Opt. 2	Note
001	419700-5	KNOB COVER		1				
002	265995-6	TAPPING SCREW 4X18		1				
003	419699-4	KNOB		1				
004	345766-8	FRONT PANEL		1				
005	216008-6	STEEL BALL 4		2				
006	233325-9	COMPRESSION SPRING 3		2				
007	419697-8	REAR COVER		1				
008	265995-6	TAPPING SCREW 4X18		2				
009	266041-8	TAPPING SCREW 5X25		2				
010	253194-2	FLAT WASHER 5		1				
011	233521-9	TORSION SPRING 10		1				
012	345765-0	DRUM COVER		1				
013	158184-9	DRUM HOLDER COMPLETE		1				
014	253758-2	FLAT WASHER 10		1				
015	210057-5	BALL BEARING 6900LLB		1				
016	961006-2	RETAINING RING S-10		1				
017	264002-2	SQUARE NUT M5		2				
018	805594-8	ELECTRIC SPEED CONTROL LABEL		1				
019	419702-1	CAM		1				
020	191972-1	CARBON BRUSH CB-132		1				
021	863215-8	KP0810C NAME PLATE		1				
022	419694-4	HOUSING		1				
023	419703-9	SWITCH LEVER		1				
024	233408-5	COMPRESSION SPRING 3		1				
025	651922-3	SWITCH TG71B		1				
026A	645105-5	NOISE SUPPRESSOR		1	*			
026B	645105-5	NOISE SUPPRESSOR		1	*			
026-1A	645185-1	NOISE SUPPRESSOR	O	1				
026-1B	645185-1	NOISE SUPPRESSOR	O	1				
026-1C	645185-1	NOISE SUPPRESSOR		1				
027	231433-0	COMPRESSION SPRING 4		1				
028	631737-4	CONTROLLER		1				
029	419704-7	LOCK OFF BUTTON		1				
030	188215-0	HANDLE SET		1				
D10		INC. 36						
031	265995-6	TAPPING SCREW 4X18		5				
032	265995-6	TAPPING SCREW 4X18		2				
033	687052-4	STRAIN RELIEF		1				
034	682504-0	CORD GUARD 10-85		1				
035	665890-4	POWER SUPPLY CORD 1.0-2-4.0		1				
036	188215-0	HANDLE SET		1				
D10		INC. 30						
037	525753-5	FIELD ASS'Y 220-240V		1				
C10	654069-2	RECEPTACLE		2				
038	419701-3	BAFFLE PLATE		1				
039	266095-5	TAPPING SCREW 5X55		2				
040	419710-2	NOZZLE		1				
041	125353-7	DUCT ASS'Y		1				

Item	Parts No.	Description	I/C	Qty	N/O	Opt. 1	Opt. 2	Note
042	681660-3	INSULATION WASHER		1				
043	211031-6	BALL BEARING 608LLB		1				
044	513688-2	ARMATURE ASS'Y 220-240V		1				
D10		INC. 42,43,45						
045	240079-1	FAN 62		1				
046	211087-9	BALL BEARING 6200DDW		1				
047	158149-1	BRACKET COMPLETE		1				
048	222125-2	V-PULLEY 4-20L		1				
049	225007-7	POLY V-BELT 4-241		1				
050	158362-1	BELT COVER COMPLETE		1				
D10		INC. 18						
051	911133-5	PAN HEAD SCREW M4X18		1				
052	222126-0	V-PULLEY 4-37		1				
053	265995-6	TAPPING SCREW 4X18		4				
054	211087-9	BALL BEARING 6200DDW		1				
055	251291-8	+ SCREW M4X8		2				
056	158156-4	DRUM COMPLETE		1				
057	793322-2	T.C.T. MINI PLANER BLADE 82		1	*			
057-1	A-82921	T.C.T. MINI PLANER BLADE	<	1				
058	343433-9	SET PLATE F/MINI BLADE		2				
059	345644-2	ADJUST PLATE		2				
060	251246-3	+ PAN HEAD SCREW M4X5		4	*			
060-1	265132-2	+ PAN HEAD SCREW M4X5	O	4				
061	345001-4	DRUM PLATE		1	*			
061-1	187676-1	DRUM PLATE SET	O	1				
062	251609-3	HEX. FLANGE HEAD BOLT M6X17		6				
063	231698-4	TORSION SPRING 7		1				
064	419706-3	FOOT		1				
065	318098-6	BASE		1				
066	265995-6	TAPPING SCREW 4X18		4				
067	158360-5	FRONT BASE COMPLETE		1				
068	266026-4	TAPPING SCREW BIND CT 4X12		2				
069	232232-3	LEAF SPRING		2				
070	267012-8	FLAT WASHER 5		1				
A01	122785-9	GUIDE RULE ASS'Y		1				
C20	251871-0	SCREW M5X10		1				
C30	251878-6	SCREW M5X20		1				
C40	253807-5	FLAT WASHER 5		2				
C50	345768-4	GUIDE HOLDER		1				
C10	213022-3	O RING 3		1	*			
C11	213009-5	O RING 4	X	1				
C10	213022-3	O RING 3		1	*			
C11	213009-5	O RING 4	X	1				
C11	213009-5	O RING 4		1				
A02	123062-2	BLADE GAUGE ASS'Y		1				
C10	911228-4	PAN HEAD SCREW M5X18		2				
C20	411086-3	GAUGE PLATE		1				
A03	782209-3	SOCKET WRENCH 9		1				

