

SENCO®

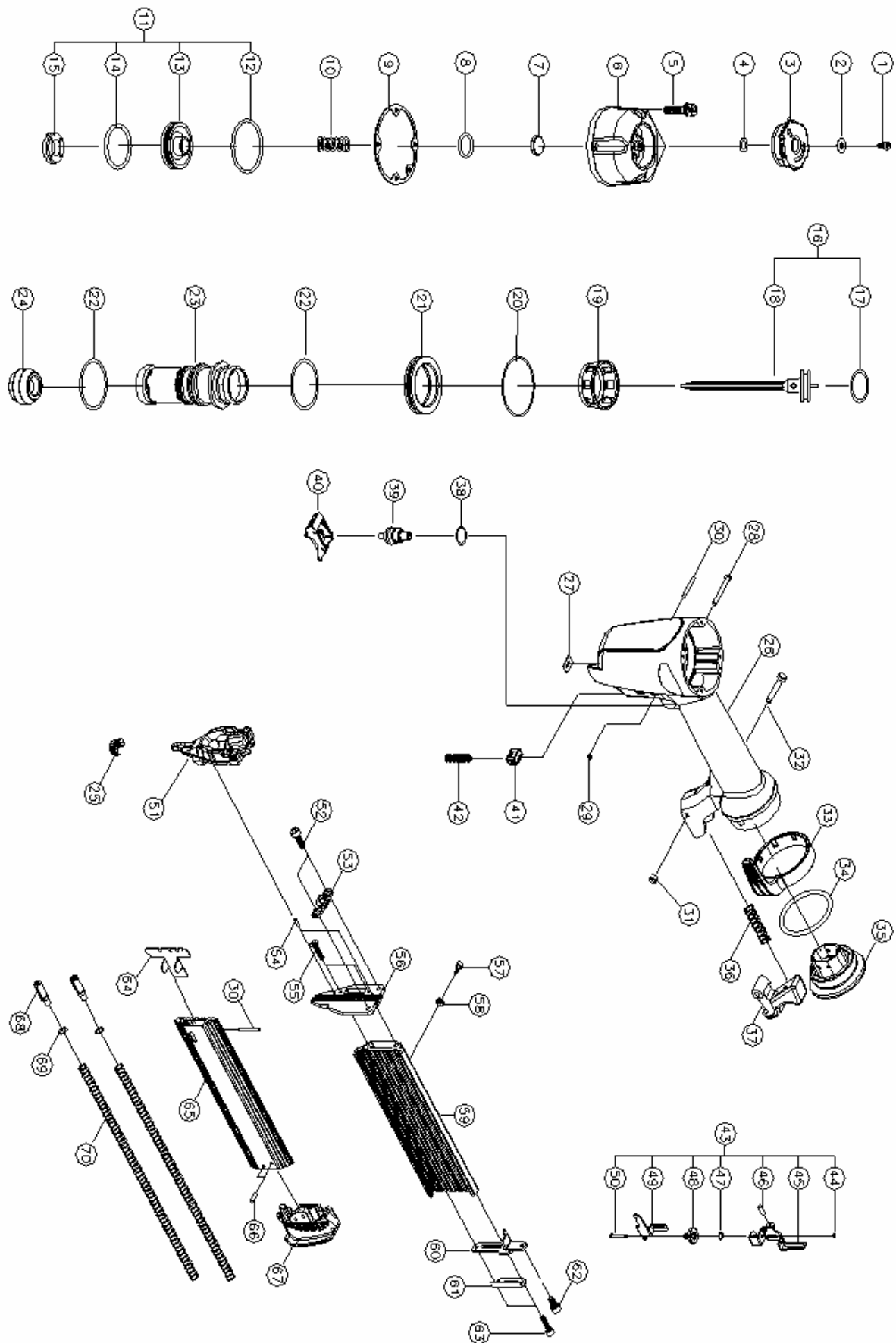
S200BN

Parts Reference Guide



Reversion 16-10-2008 S200BN DK V1

Verpa Senco B.V.
Pascallaan 88
8218 NJ Lelystad



S200BN

REPLACEMENT PARTS LIST • LISTA DE PARTES DE REPUESTO • ERSATZTEILE-LISTE • LISTE DE PIÈCES DE RECHANGE

POS	PART NO	DESCRIPTION	DESCRIPCION	BESCHREIBUNG	DESIGNATION
1.....	A0000-1211	SCREW 4*8	TORNILLO 4*8	SCHRAUBE 4*8	VIS 4*8
2.....	A0005-0691	WASHER 12*1	ARANDELA 12*1	SCHEIBE 12*1	RONDELLE 12*1
3.....	A0304-0651	EXHAUST COVER	CUBIERTA DE ESCAPE	AUSPUFFABDECKUNG	COUVERCLE D'ÉCHAPPEMENT
4.....	A0200-2471	O-RING 7.59*2.62	SELLO DE GOMAS 7.59*2.62	DICHTRING 7.59*2.62	JOINT 7.59*2.62
5.....	B0000-0031	SCREW	TORNILLO	SCHRAUBE	VIS
6.....	A0301-1721	CAP, TOP	TAPA, ARRIBA	KAPPE, OBEN	BOUCHON, À L'ÉCHAPPEMENT
7.....	A0311-0451	SEAL, AIR	SELLO, AIRE	DICHTUNG, LUFT	JOINT, AIR
8.....	A0200-0221	O-RING 15*2.5	SELLO DE GOMAS 15*2.5	DICHTRING 15*2.5	JOINT 15*2.5
9.....	A0205-0641	GASKET	ARANDELA	DICHTUNG	JOINT
10.....	A0100-0631	SPRING	RESORTE	FEDER	RESSORT
11.....	B0300-2221	FIRING VALVE PISTON SET	SET PISTON DE VAVULA	VENTILPISTONSATZ	LIASSE DE PISTON DE VALVE
12.....	A0200-0711	O-RING 33.5*2.5	SELLO DE GOMAS 33.5*2.5	DICHTRING 33.5*2.5	JOINT 33.5*2.5
13.....	A0308-0341	FIRING VALVE PISTON "POM"	PISTON DE VAVULA "TPE"	VENTILPISTON "TPE"	LIASSE DE PISTON "TPE"
14.....	A0200-0601	O-RING 26.59*2.95	SELLO DE GOMAS 26.59*2.95	DICHTRING 26.59*2.95	JOINT 26.59*2.95
15.....	A0313-0041	PISTON STOPPER "TPU"	TOPE DE PISTON "TPE"	PISTONPUFFER "TPE"	ARRET DE PISTON "TPE"
16.....	B0600-4631	PISTON UNIT	UNIDA PISTON	PISTONEINHEIT	PIECE DE PISTON
17.....	A0200-1281	O-RING 22.4*3.3	SELLO DE GOMAS 22.4*3.3	DICHTRING 22.4*3.3	JOINT 22.4*3.3
18.....	B0600-4621	PISTON SET	SET PISTON	PISTONSATZ	LIASSE DE PISTON
19.....	A0305-0081	SLEEVE RETAINER "POM"	RETEN "POM"	SICHERUNGSRIICH "POM"	TERENUE "POM"
20.....	A0200-0271	O-RING 44.8*2.6	SELLO DE GOMAS 44.8*2.6	DICHTRING 44.8*2.6	JOINT 44.8*2.6
21.....	A0800-0391	SPACER	SEPARADOR	DISTANZSTÜCK	ENTRETOISE
22.....	A0200-0071	O-RING 31*2.5	SELLO DE GOMAS 31*2.5	DICHTRING 31*2.5	JOINT 31*2.5
23.....	A0303-0941	SLEEVE, CYLINDER	MANGA CILINDRO	ZYLINDERHÜLSE	CHEMISE CYLINDRE
24.....	A0309-0741	BUMPER	AMORTIGUADOR	PUFFER	AMORTISSEUR
25.....	A0204-1791	NO MAR PAD	AMORTIGUADOR	SCHUTZ	COUSSIN
26.....	B0400-0911	BODY SET	SET CUERPO	KORPERSATZ	LIASSE DE CORPS
27.....	A0310-0781	NOZZLE WASHER	ARANDELA TOBERA	DUESESCHIEBE	RONDELLE BUSE
28.....	A0006-0501	STEP PIN	PASADOR	STIFT	GOUPILLE
29.....	A0005-0311	PIN RETAINER 5.5*2	PASADOR TORICA	STIFTSICHERUNG	GOUPILLE RETENUE
30.....	A0011-0161	SPRING PIN 3*24	PASADOR RESORTE 3*24	FEDER STIFT 3*24	RESSORT GOUPILLE 3*24
31.....	A0005-0291	PIN RETAINER 6*2.9	PASADOR TORICA	STIFTSICHERUNG	GOUPILLE RETENUE
32.....	A0006-0411	PIN	PASADOR	STIFT	GOUPILLE
33.....	A0316-0331	BELT HOOK	GANCHO DE CINTURON	GURTHAKEN	CROCHET DE CEINTURE
34.....	A0200-2851	O-RING 38*3.5	SELLO DE GOMAS 38*3.5	DICHTRING 38*3.5	JOINT 38*3.5
35.....	A0306-1251	TAIL COVER	CUBIERTA DE COLA	RÜCKSEITEABDECKUNG	COUVERCLE DE QUEUE
36.....	A0101-0191	SPRING	RESORTE	FEDER	RESSORT
37.....	A0709-0301	CLICK LEVER	PALANCA CLICK	CLICK HEBEL	LEVIER CLICK
38.....	A0200-1091	O-RING 11*1.05	SELLO DE GOMAS 11*1.05	DICHTRING 11*1.05	JOINT 11*1.05
39.....	B0500-1381	TRIGGER VALVE SET	SET GATILLO VALVULA	AUSLÖSERSATZVENTIL	LIASSE GACHETTE DE VALVE
40.....	B0500-1481	TRIGGER SET	SET GATILLO	AUSLÖSERSATZ	LIASSE GACHETTE
41.....	A0712-0341	SAFETY GUIDE PLATE	PLACA GUIA	FUHRUNGSPLATTE	PLAQUE DE GUIDE
42.....	A0100-3091	SPRING	RESORTE	FEDER	RESSORT
43.....	B0700-2531	RELEASE CATCH ASS'Y	ASAMBLE DE GUIA	FUHRUNGSZUSAMMENBAU	ASSEMBLÉE DE GUIDE
44.....	A0005-0041	E-RING ø2.5	E-RING ø2.5	E-RING ø2.5	E-RING ø2.5
45.....	A0711-0841	RELEASE CATCH (C)	GUIA (C)	FUHRUNG (C)	GUIDE (C)
46.....	A0011-0181	SPRING PIN 3*8	PASADOR RESORTE 3*8	FEDER STIFT 3*8	RESSORT GOUPILLE 3*8
47.....	A0200-4301	O-RING 4.4*1.8	SELLO DE GOMAS 4.4*1.8	DICHTRING 4.4*1.8	JOINT 4.4*1.8
48.....	A0004-0181	SAFETY ADJUSTMENT WHEEL	RUEDA DE ADJUSTE	EINREGELRAD	MOLETTE DE REGLAGE
49.....	A0711-0831	RELEASE CATCH (B)	GUIA (B)	FUHRUNG (B)	GUIDE (B)
50.....	A0006-0491	STEP PIN	PASADOR	STIFT	GOUPILLE
51.....	B0800-0111	DRIVER GUIDE COVER SET	SET CUBIERTA DE GUIA	FUHRUNGSABDECKUNGSATZ	LIASSE COUVERCLE DE GUIDE
52.....	A0000-0071	SCREW M5*16	TORNILLO M5*16	SCHRAUBE M5*16	VIS M5*16
53.....	A0800-0211	SPACER	SEPARADOR	DISTANZSTÜCK	ENTRETOISE
54.....	A0011-0011	SPRING PIN 2*10	PASADOR RESORTE 2*10	FEDER STIFT 2*10	RESSORT GOUPILLE 2*10
55.....	A0001-0001	SCREW M4*18	TORNILLO M4*18	SCHRAUBE M4*18	VIS M4*18
56.....	A0801-0771	DRIVER GUIDE	GUIA	FUHRUNG	GUIDE
57.....	A0000-0211	SCREW M4*10	TORNILLO M4*10	SCHRAUBE M4*10	VIS M4*10
58.....	A0710-0272	SPACER	SEPARADOR	DISTANZSTÜCK	ENTRETOISE
59.....	B0700-2891	MAGAZINE ASS'Y	ASSAMBLE CARGADOR	MAGZINZUSAMMENBAU	ASSEMBLE MAGASIN
60.....	A0706-0561	SUPPORT	SOPORTE	TRAGER	SUPPORT
61.....	A0715-0161	MAGAZINE STOP	TOPE CARGADOR	MAGZINPUFFER	ARRET DE MAGASIN
62.....	A0000-0181	SCREW M5*10	TORNILLO M5*10	SCHRAUBE M5*10	VIS M5*10
63.....	A0000-0521	NYLOK SCREW M4*12	TORNILLO M4*12 NYLOK	NYLOK SCHRAUBE M4*12	VIS M4*12 NYLOK
64.....	A0707-1391	PUSHER	ALIMENTADOR	VORSCHIEBER	POUSSOIR
65.....	A0700-1781	UPPER MAG	CARGADOR	MAGZIN	MAGASIN
66.....	A0011-0131	SPRING PIN 3*10	PASADOR RESORTE 3*10	FEDER STIFT 3*10	RESSORT GOUPILLE 3*10
67.....	A0718-0141	TAIL COVER	CUBIERTA DE COLA	RÜCKSEITEABDECKUNG	COUVERCLE DE QUEUE
68.....	A0706-1671	SPRING HOLDER "POM"	SOPORTE RESORTE	FEDERHALTERUNG	CAVALIER RESSORT
69.....	A0200-0291	O-RING 4*1.25	SELLO DE GOMAS 4*1.25	DICHTRING 4*1.25	JOINT 4*1.25
70.....	A0101-0351	EXTENSION SPRING	POLONGACIÓN RESORTE	FEDERVERLÄNGERUNG	ÉTENDUE RESSORT